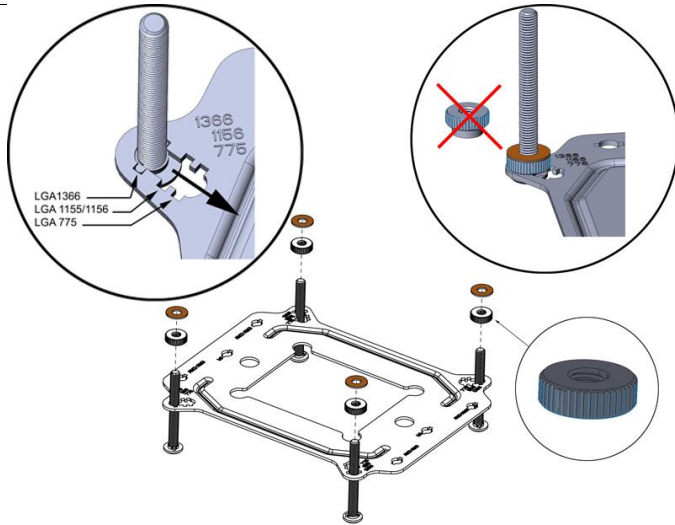




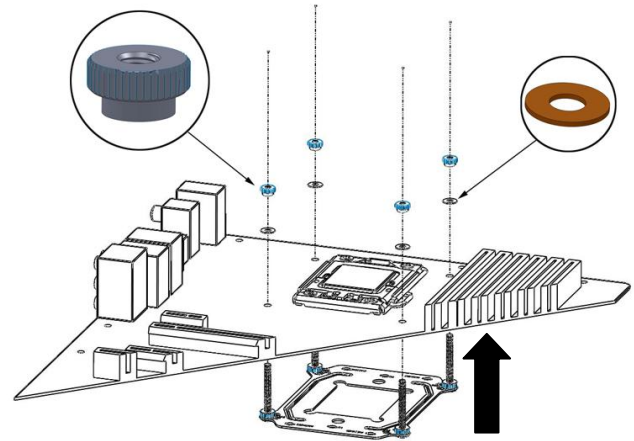
SUPERCLOCK CPU COOLER - ENGLISH

INSTALLATION GUIDE FOR INTEL® PROCESSORS



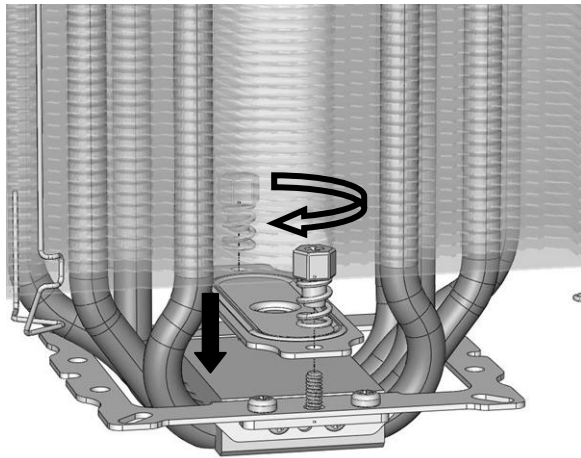
1. Back-plate assembly

Insert the four threaded posts in the slotted holes marked 1366/1156/775, and align them at the location corresponding to your motherboard socket. Fasten the posts to the back-plate using the provided knurled-nuts, and then place an insulating washer over each nut. **Important note:** Be careful not to use the provided thumb-nuts, as they are thicker and would offset the black-plate too far from the motherboard.



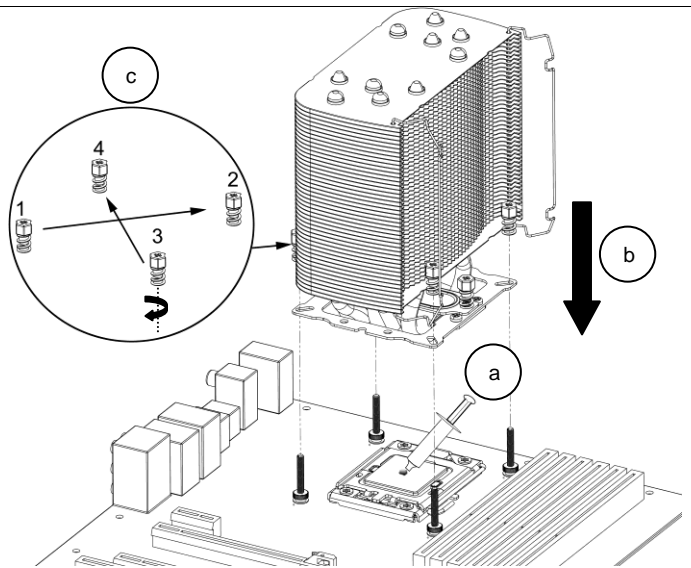
2. Back-plate installation to the motherboard

Mate the back-plate to the back of the motherboard, insert the insulating washers onto each post, and then fasten the back-plate using the provided thumb-nuts.



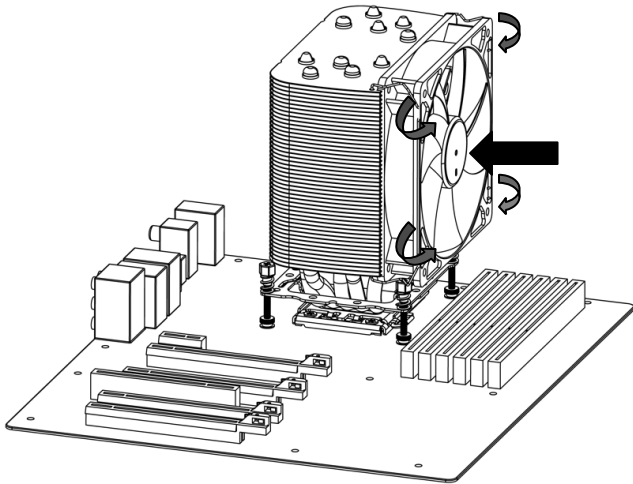
3. Heatsink assembly

Fasten the cross-bar to the heatsink with its center nipple facing down by using two of the provided spring loaded screws.



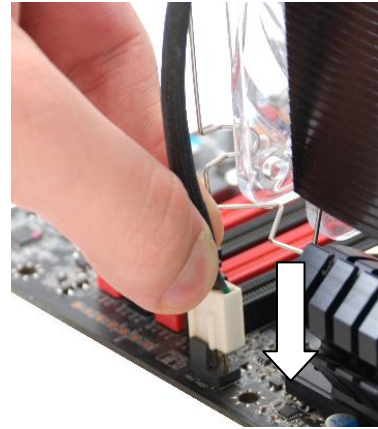
4. Heatsink installation to the motherboard

- Clean the CPU with a degreaser (preferably formulated for electronics) then apply a small amount of the supplied grease to the center of the CPU.
- Orient the heatsink so that the hot air generated by the fan will blow in the direction of a chassis exhaust fan and then, mate the heatsink to the CPU.
- Progressively and alternatively (in a cross pattern) fasten four spring loaded screws until they bottom out.



5. Fan installation to the heatsink

Attach the fan to the heatsink using the provided clips, making sure that the fan blows towards the heatsink: the fan label should be facing against the heatsink fins, and will no longer be visible once the fan is installed.



6. Electrical connection

In order for the fan speed to be controlled by the motherboard PWM controller and to reach its full speed adjustment range which is 750 to 2500 RPM +/- 250 RPM, the fan's **4-pin connector must be plugged into the CPU fan 4-pin header of the motherboard**. The header is typically marked "JCPU_Fan" or "CPU_Fan", and is usually located at close proximity of the CPU socket.

If the fan's 4-pin connector is plugged into a motherboard 3-pin header, the fan will operate at full speed and lose its variable speed functionality. The fan can also be connected to a fan controller; however its speed adjustment range will be limited from 7 to 12v, i.e. 1500 RPM to 2500 RPM +/- 250 RPM. The fan cannot start below 7 volts.

Fan specifications

Rated voltage	12V	Rated Speed	750 ~ 2500 RPM +/- 250 RPM
Rated current	0.03 ~ 0.32 +/- 0.02A	Airflow	26.56 ~ 83.32 CFM
Start-up Voltage	7V	Static Pressure	1.74 ~ 4.85 mm-H ₂ O
Rated Power	0.36 ~ 3.84W	Noise Level	≤13.2 ~ 41.5dBA
Operating Voltage Range	10.2 ~ 13.8V	Bearing system	Hydraumatic
Dimensions	120x120x25mm	Function	PWM speed control
Weight	130.8 g	Connector	4-pin

Compatible EVGA Motherboards

Socket 1366 (Xeon)	EVGA Classified SR-2	Socket 1155	EVGA P67 FTW
Socket 1366	EVGA X58 Classified3	Socket 1155	EVGA P67 SLI
Socket 1366	EVGA X58 FTW3	Socket 1155	EVGA P67 Micro
Socket 1366	EVGA X58 SLI3	Socket 1156	EVGA P55 Classified 200
Socket 1366	EVGA X58 Classified	Socket 1156	EVGA P55 FTW
Socket 1366	EVGA X58 SLI	Socket 1156	EVGA P55 SLI
Socket 1366	EVGA X58 LE	Socket 1156	EVGA P55 LE
Socket 1366	EVGA X58 Micro	Socket 1156	EVGA P55 Micro

WARRANTY

This product is guaranteed for 12 months from the date of purchase against defects in materials or workmanship. During this period, they will be repaired or have parts replaced provided that there is no physical damage to the product itself. For more information on EVGA warranty terms and conditions please visit <http://www.evga.com/warranty>